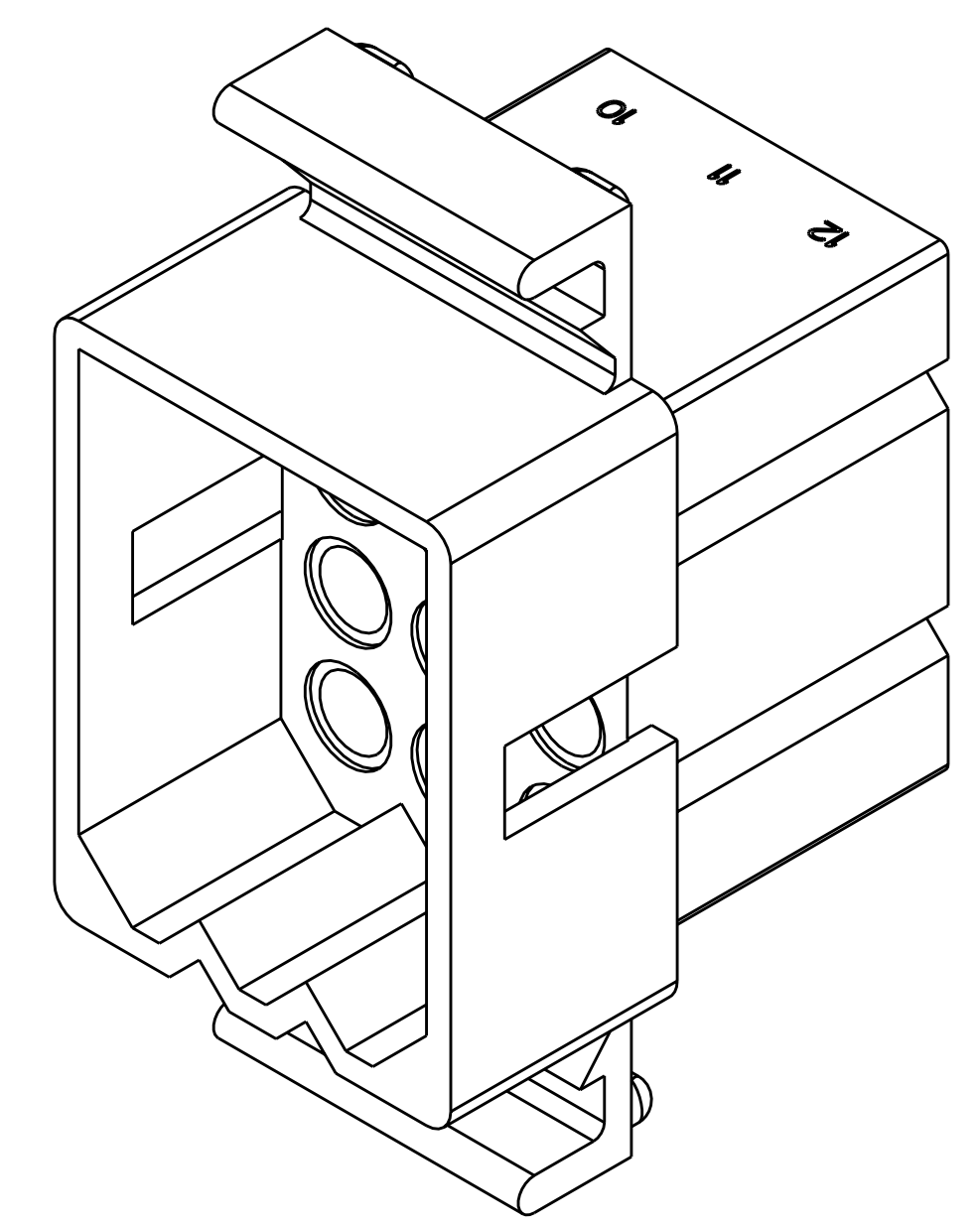
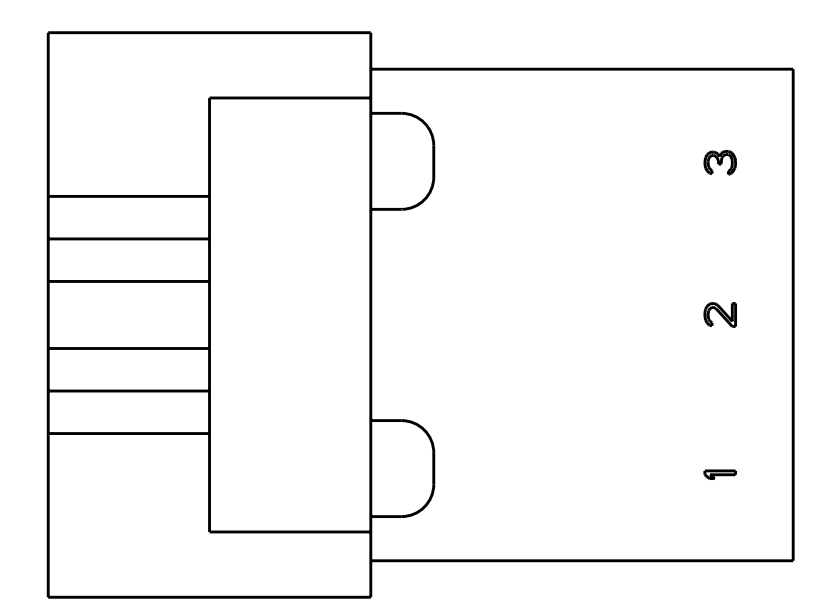
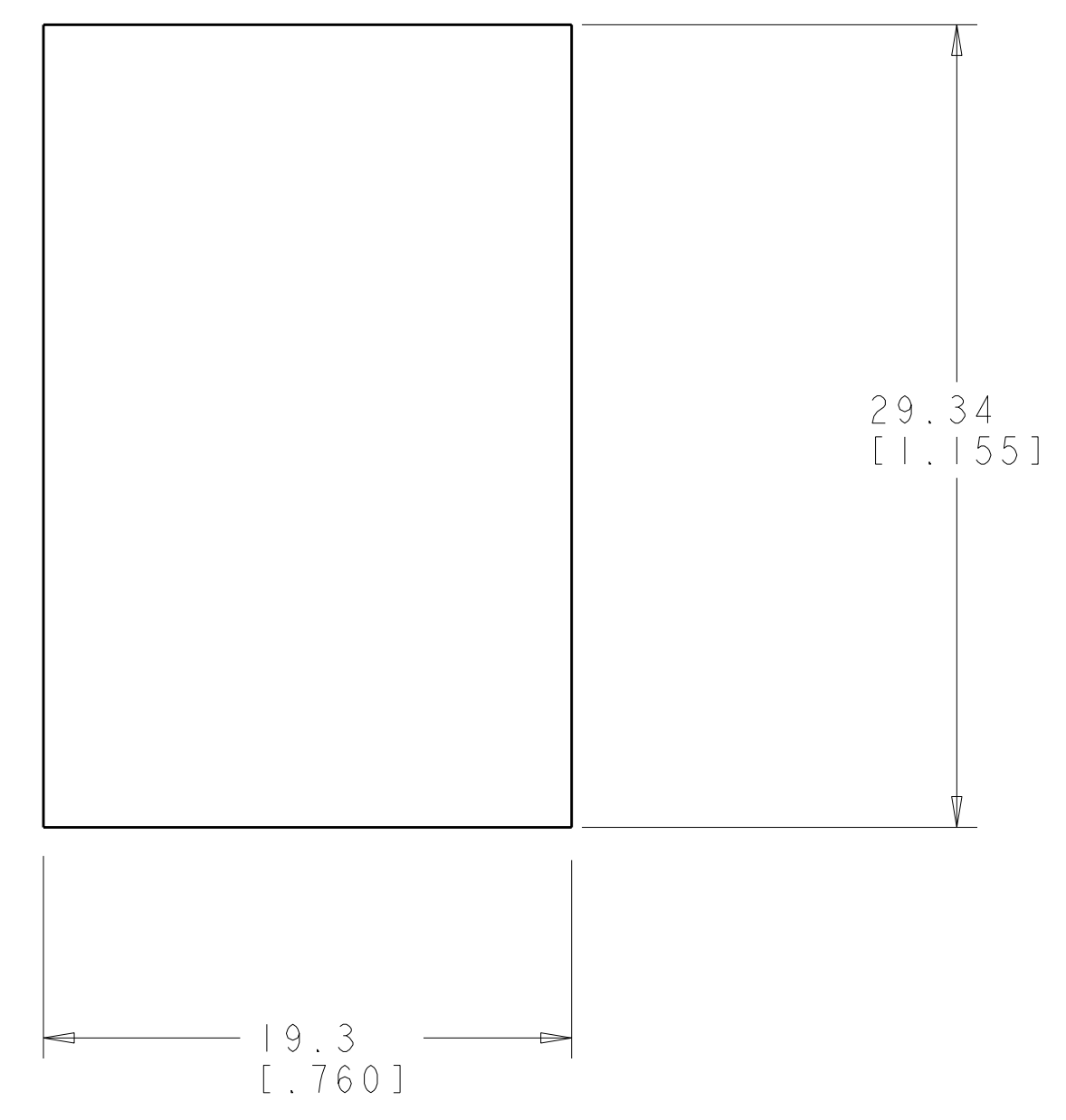
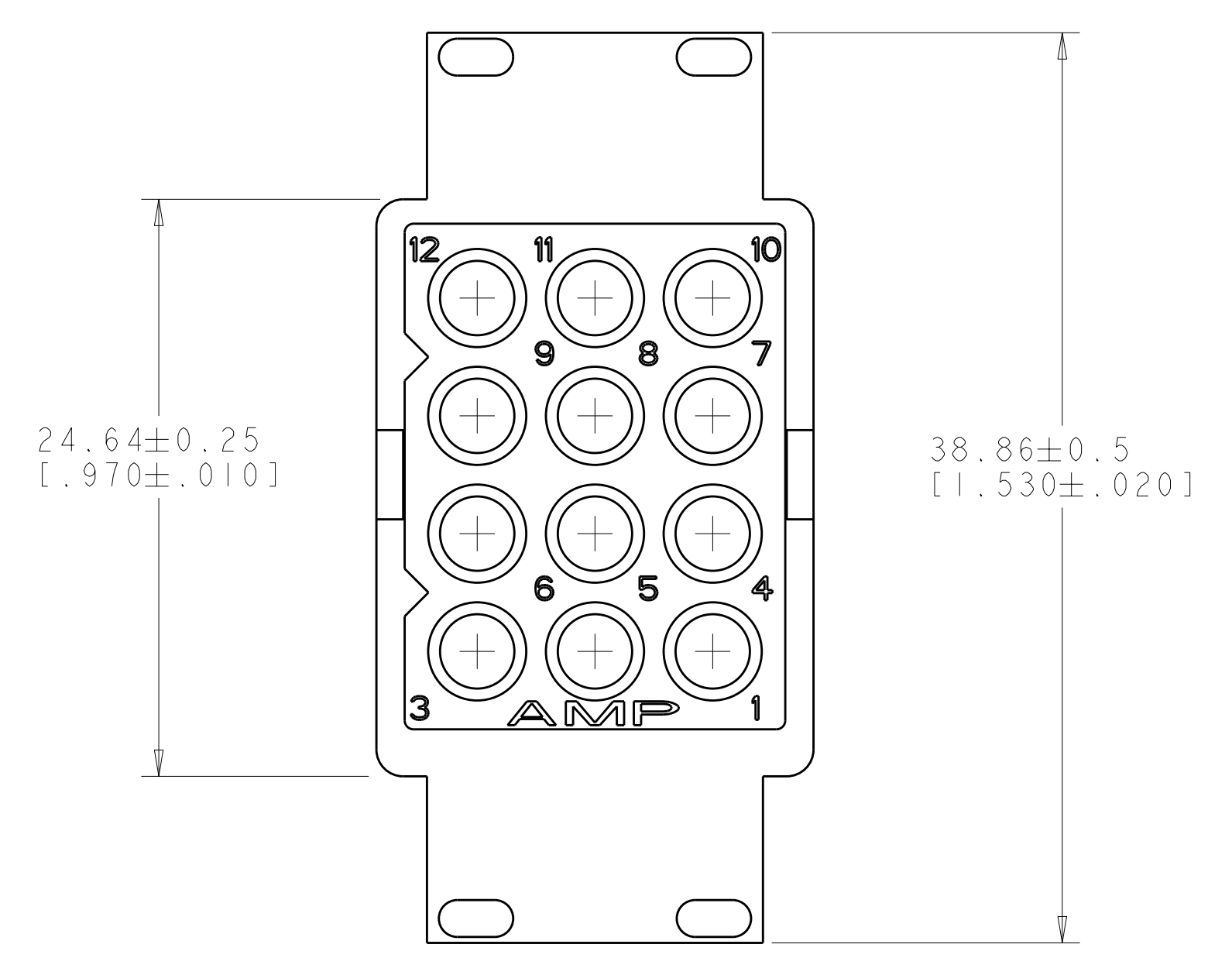
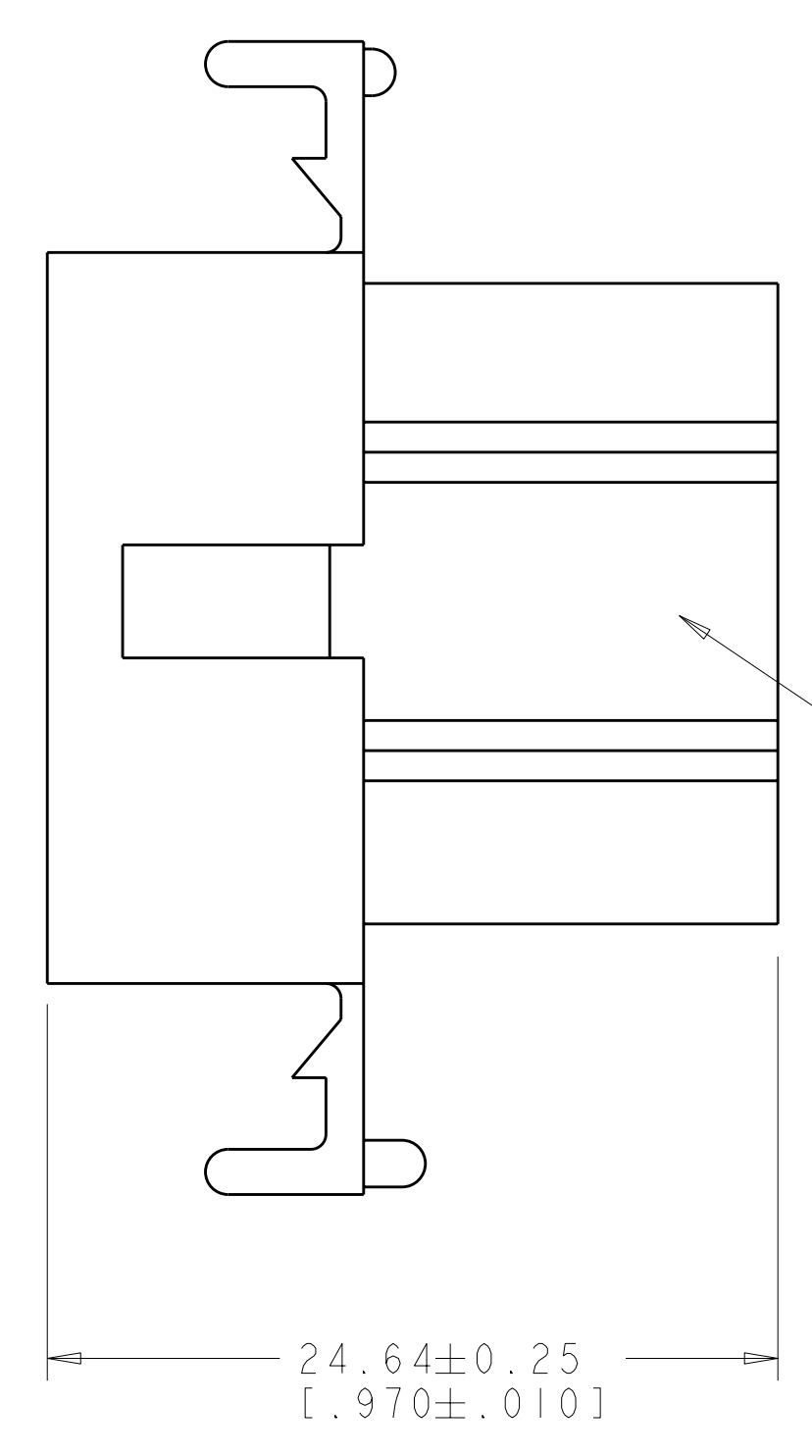
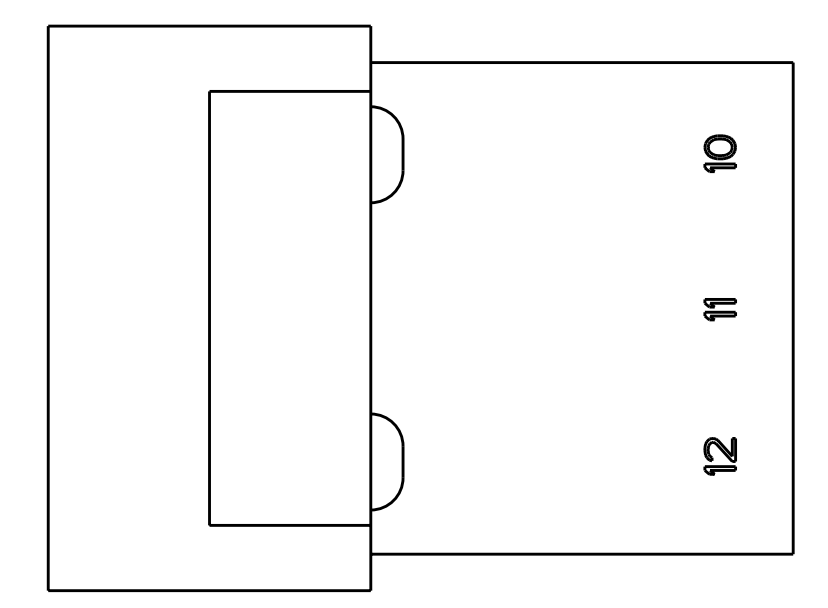
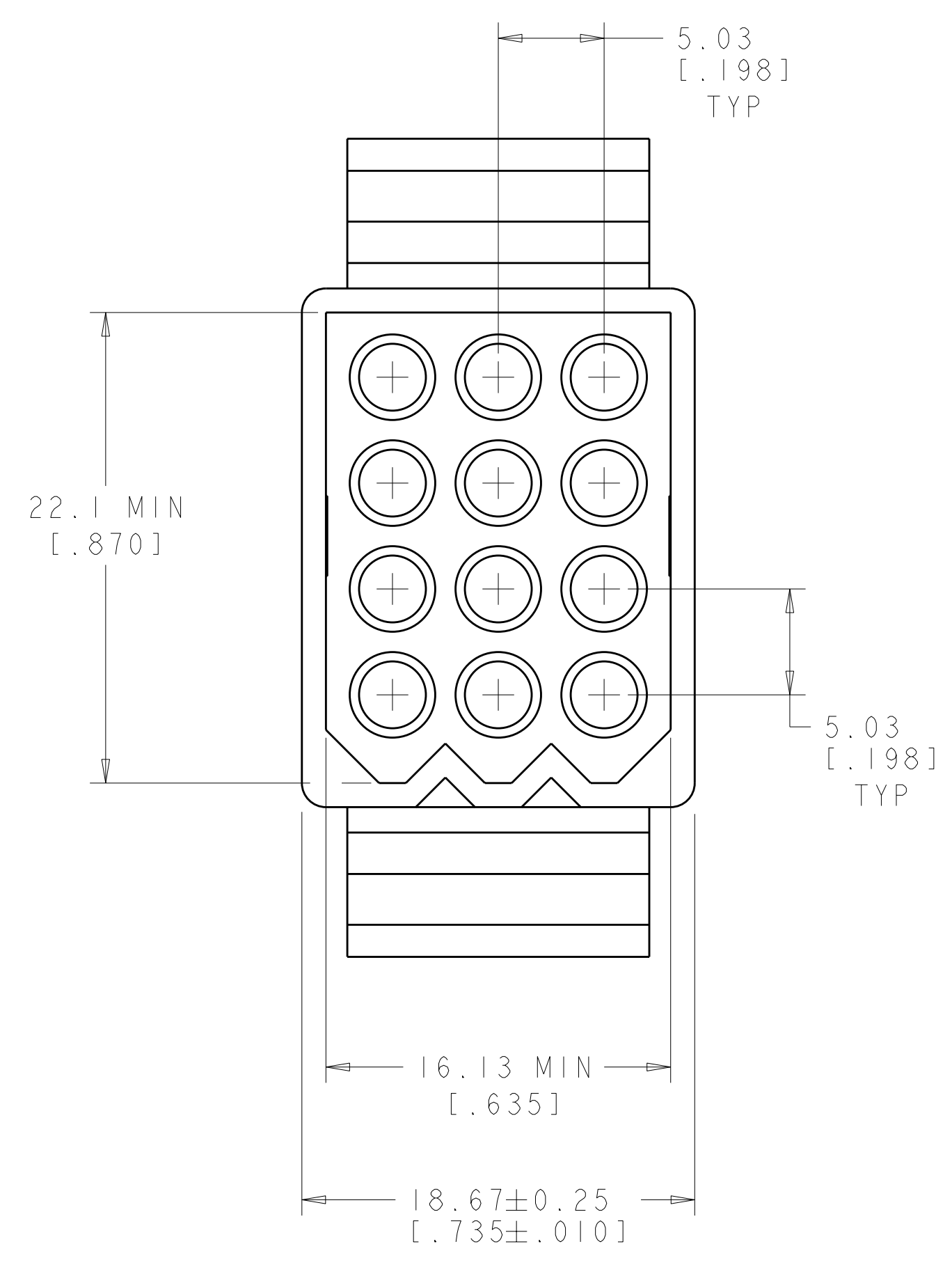


LOC	DIST	REV	DATE	DWN	APVD
CM	00	G	ECO-07-020239	12OCT2007	KW CC

- 1 MATERIAL: NYLON UL94V-2 (NATURAL).
- 2. RECOMMENDED PANEL THICKNESS 2.29 [.090] MAX.
- 3 MARKINGS FOR UL LOGO AND CSA LOGO LOCATED ON THIS SURFACE. OPPOSITE SIDE IS OPTIONAL LOCATION.



0.272 IN ³	770101-1
VOLUME	PART NUMBER

DIMENSIONS: mm [INCHES] TOLERANCES UNLESS OTHERWISE SPECIFIED: 9 PLC ± 8 PLC ±0.13 (1.005) 5 PLC ± 4 PLC ± ANGLES ±40° 30'		DWN R. WHITAKER 12OCT2007 CHK C. CASH 12OCT2007 APVD C. CASH 12OCT2007		Tyco Electronics Harrisburg, PA 17105-3608	
MATERIAL: NYLON UL94V-2 (NATURAL) FINISH:		PRODUCT SPEC: .093 COMMERCIAL PIN AND SOCKET APPLICATION SPEC:		NAME: PLUG, 12 CIRCUIT, .093 COMMERCIAL PIN AND SOCKET SIZE: A 00779 C=770101 RESTRICTED TO:	
CUSTOMER DRAWING		SCALE: 4:1		SHEET 1 OF 1 REV G	

METRIC